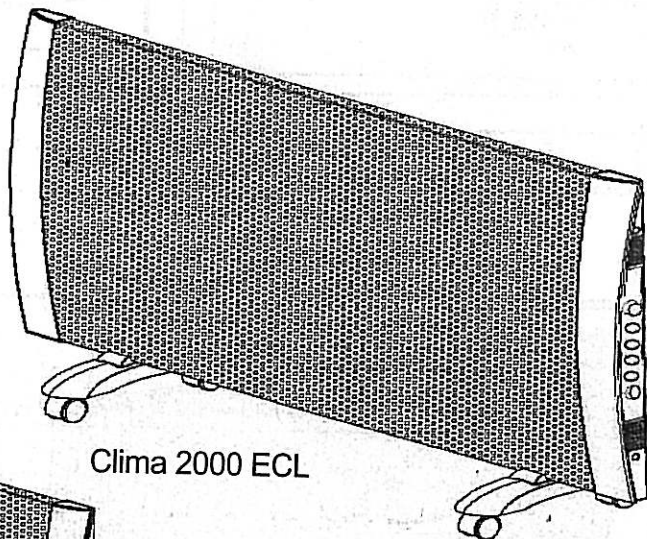
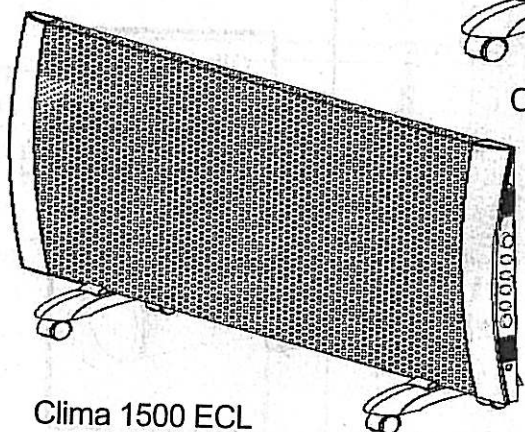


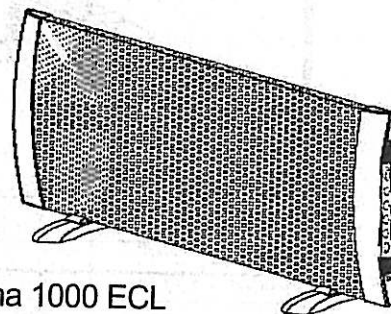
Dimplex



Clima 2000 ECL

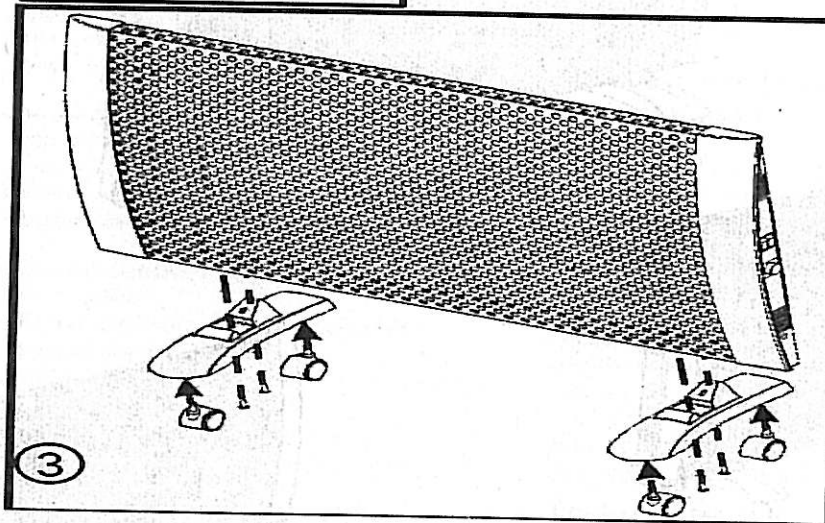
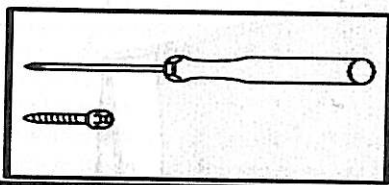
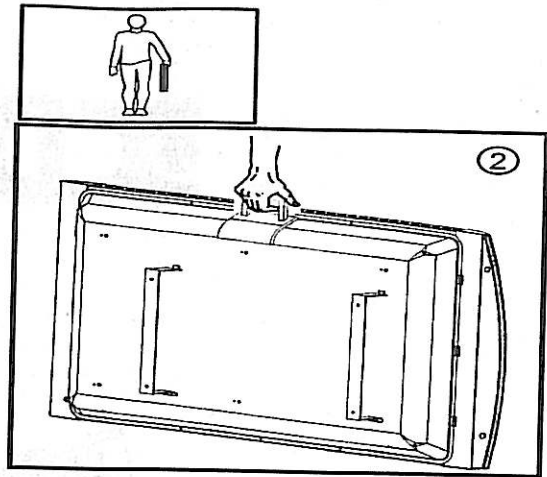
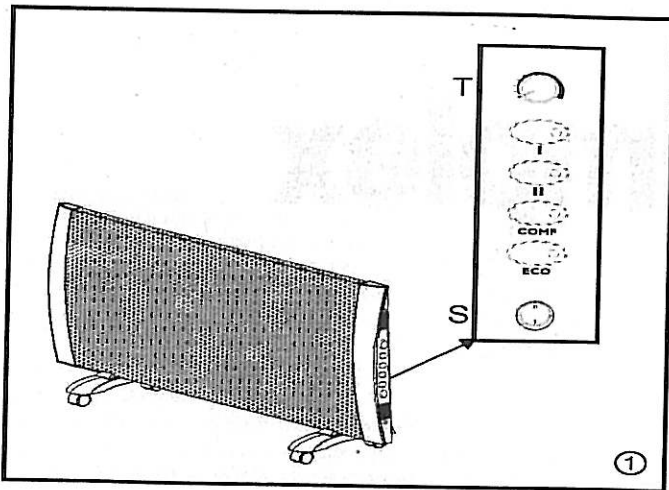


Clima 1500 ECL

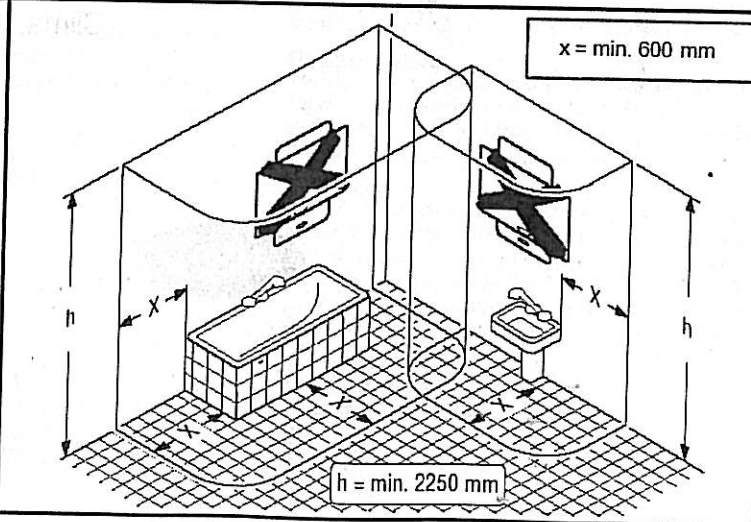
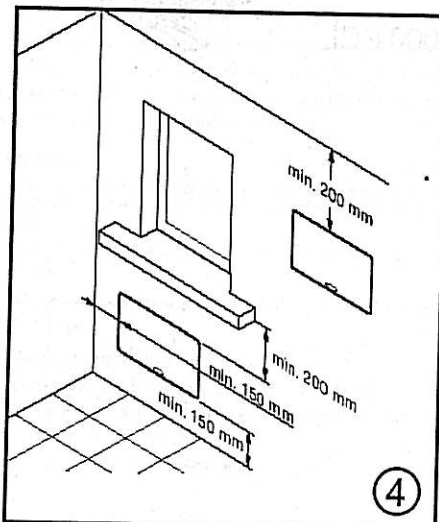
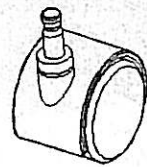


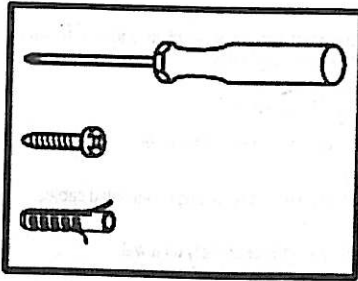
Clima 1000 ECL

AUS/NZ

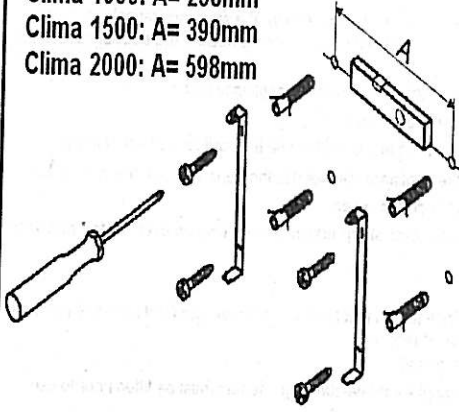


Clima
1500 ECL/
Clima
2000 ECL

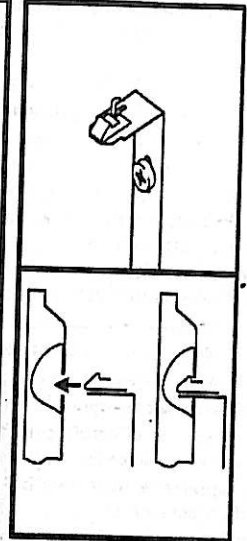
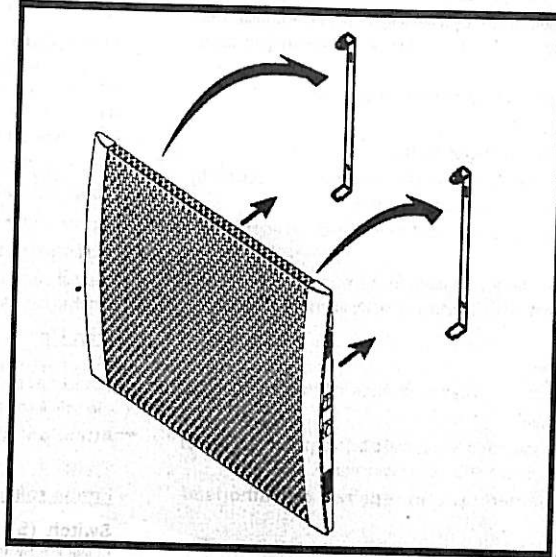




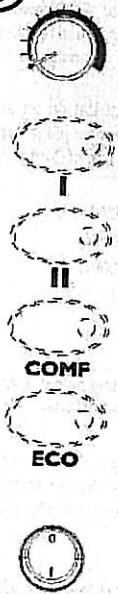
Clima 1000: A= 258mm
 Clima 1500: A= 390mm
 Clima 2000: A= 598mm



⑤



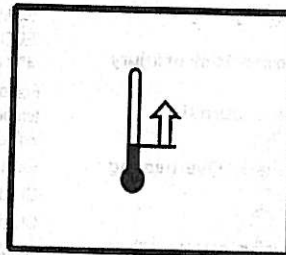
⑥



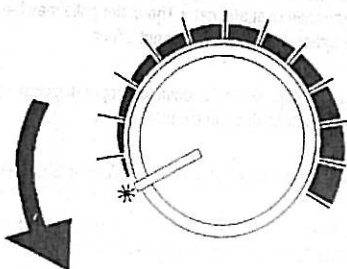
Clima 1000 ECL:
 500W/ 500W/
 1000W

Clima 1500 ECL:
 500W/ 1000W/
 1500W

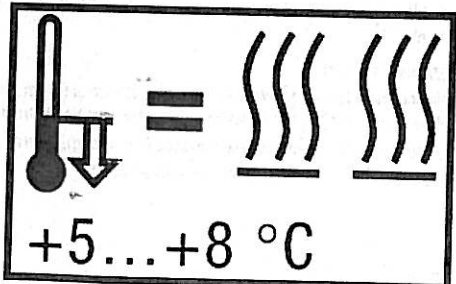
Clima 2000 ECL:
 750W/ 1250W/
 2000W



I	II	Clima 1000 ECL	Clima 1500 ECL	Clima 2000 ECL
x	x	OFF	OFF	OFF
ON	x	500W	500W	750W
x	ON	500W	1000W	1250W
ON	ON	1000W	1500W	2000W



⑦



Dear Customer,

Please read the following information carefully before using the appliance for the first time for your own safety and to ensure correct use.

Attention! The appliance may only be used for normal domestic use and not for industrial purposes.

The heat radiated by this appliance is not harmful to humans, animals and plants. The heat is distributed evenly, noiseless and odourless within the room and provides a feeling of well-being and relaxation.

Important Safety Advices

- The appliance must only be used as described in the instructions for use! Use for any other purpose is forbidden! Any damage resulting from improper use and non-observance of the safety information will invalidate any liability and warranty!
- All liability is disclaimed for any frost damage caused by a heating capacity that is insufficient for the room size, bad heat insulation of the room, incorrect use or force majeure (e.g. power failure).
- Only connect the appliance to A.C. mains as specified on the rating plate!
- Never touch live parts! **Danger to life!**
- Never operate the appliance with wet hands! **Danger to life!**
- The appliance must be placed in a way that the control elements cannot be touched by persons who are in bath, shower, or any other water-filled receptacle.
- The appropriate regulations of the country regarding installation of electrical equipment in such areas must be adhered to!
- The appliance is splash-proof and may be used in bathrooms, however, not in the immediate vicinity of baths, showers, water connections, washbasins or swimming pools
- The appliance is not for outdoor use.
- The appliance must only be stored indoors!
- Never use the appliance if the appliance or cord is damaged. **Risk of injury!**
- Check the power cord regularly for damage.
- If the power cord or if the appliance is damaged to the extent that electrical parts are exposed, disconnect it immediately from the mains and see your authorised retailer!
- **The appliance may only be opened up and repaired by authorised qualified personnel.**
- Do not store or use any flammable materials or sprays in the vicinity of the appliance when the appliance is in use. **Fire hazard!**
- Do not use the appliance in flammable atmospheres (e.g. in the vicinity of combustible gases or spray cans)! **Explosion and fire hazard!!**
- The appliance should not be used in areas which are a fire risk, such as garages, stables, or wooden sheds.
- **Important!** Do not insert any foreign objects into the appliance openings! **Risk of injury** (electric shock) and damage to the appliance!
- Place the appliance so that it cannot be touched by accident. **Risk of burns!** The appliance will cool down gradually after being switched off.
- Do not place any items of clothing, towels or similar on the appliance to dry! **Overheating and fire hazard!**
- The appliances is not suitable for connection to permanent wiring!
- The appliance is not intended for use by young children or infirm persons without supervision!
- Young children should be supervised to ensure that they do not play with the appliance!
- The socket-outlet must be accessible at all times to enable the mains plug to be disconnected as quickly as possible!
- The appliance is not suitable for animal breeding purposes!
- The instruction leaflet belongs to the appliance and must be kept in a safe place. When changing owners, the leaflet must be surrendered to the new owner!
- **Attention!** To avoid any danger due to unintentionally resetting the thermal cut-out, the appliance must not be supplied via a timer.

Packaging

- After unpacking the appliance, check the same for transport damage and the contents for completeness! In the event of damage or an incomplete delivery, contact your authorised retailer!
- Do not discard the original box! It can be used for storage and dispatch to avoid transport damage!
- Dispose of the packaging material in a proper manner! Plastic bags should be kept away from children!

Location see pict. 4

- The appliance should be placed with a minimum distance of 50 cm from flammable objects, walls or other structures! The appliance openings must not be obstructed in any way!
- Do not place the appliance on instable surfaces (e.g. a bed), where it can tip over!
- The appliance must not be located below a socket outlet!

Wall Mounting see pict. 5

- Bring mounting brackets into vertical position, mark drill holes, set plugs and fasten clamps. Hang appliance from lower clamps and fasten into upper holes.

In order to remove appliance, press both clips down.

Attention! Appliance will now tilt forward. Remove appliance.

- The appliance can only be wall-mounted, if the feet have been removed.
- The minimum distances must be observed.
- For installation of the appliance, care must be taken not to damage concealed cables.
- Please be careful while drilling the holes.
- The appliance may only be operated when mounted horizontally on a wall.
- The appliance is not suitable for ceiling mounting.
- Only switch on the appliance when installation is complete.

Power Cord

- Only use an approved extension cord that is suitable for the appliance rating!
- Position the power cord so that it does not pose a tripping hazard and possibly cause the appliance to be knocked over.
- The power cord must not come into contact with hot appliance parts!
- Never pull the plug out of the socket at the cord!
- Never move the appliance by pulling at the cord or use the cord for carrying purposes!
- Do not coil the cord around the appliance! Do not use the appliance with the cord coiled! This applies particularly if a cable drum is used.
- Do not crush the cord or drag it over sharp edges. Do not place it over heated hotplates or naked flames!

Start Up

- After switching on the appliance for the first time and after an extended period of non-use, a smell may be noticed for a short time.
- To use, insert the plug in the socket.

Attention! When using the appliance free-standing, the feet must be fitted prior to use see pict. 3

Fitting rollers see pict. 3 (except Cl. 1000)

Switch (S) see pict. 6

- ON/OFF Switch

Thermostat (T) see pict. 6-7

Once the appliance is working, the "I" switch is selected by default.

This appliance can work with 2 different switches: "COMF" switch or "ECO" switch. The "COMF" allows the appliance to heat the room till the required temperature is reached. The "ECO" switch allows to heat the room until the required temperature is reached but with a -4°C difference.

For example, if you turn on the COMF switch, and with the thermostat on an average temperature of 24°C, and if you turn on the ECO switch without the thermostat, the appliance will follow on heating with the I switch but the reached temperature will be of 24-4 = 20°C.

Each model has 3 powers

CLIMA 1000 ECL: Power I (500W) / Power II (500W) / Power III (1000W)

CLIMA 1500 ECL: Power I (500W) / Power II (1000W) / Power III (1500W)

CLIMA 2000 ECL: Power I (750W) / Power II (1250W) / Power III (2000W)

Transport see pict. 2

The appliance is provided with a handle for easy carrying

Frost protection see pict. 7

- Set the controller (T) to I and the controller (S) to required the heating output. • When the temperature falls below +5 °C...+8 °C, the appliance switches on automatically.

Overheat cut-out

The built-in overheat cut-out switches off the appliance automatically in the event of a fault! Switch off the appliance (turn off switches and set thermostat to 0) or disconnect the mains plug from the socket. After a short cooling down phase, the appliance is ready for use again! If the fault should occur again, see your local dealer!

Cleaning

- Switch off the appliance first and disconnect the plug from the socket! • Clean the housing with a moist cloth, vacuum cleaner or brush. • Do not use any abrasive or caustic cleaning agents!
- Do not use any flammable cleaning agents e.g. petrol or spirit for cleaning the appliance. • Never immerse the appliance in water! Danger to life! • If the appliance is not used for extended periods, it must be protected against excessive dust and dirt. • The outlet grille may become discoloured with use. This is caused by airborne pollution and is not a fault.

Disposal

- Old appliances should be taken to a public refuse collection point for proper disposal! • Worn out appliances must be made unusable by cutting through the power cord.

After sales service

Please see the separate Warranty leaflet for details of your Warranty & After Sales Service including contact details.

Should you require after sales service, please get in touch with the supplier through whom you purchased the appliance, or the contact number on your Warranty leaflet.